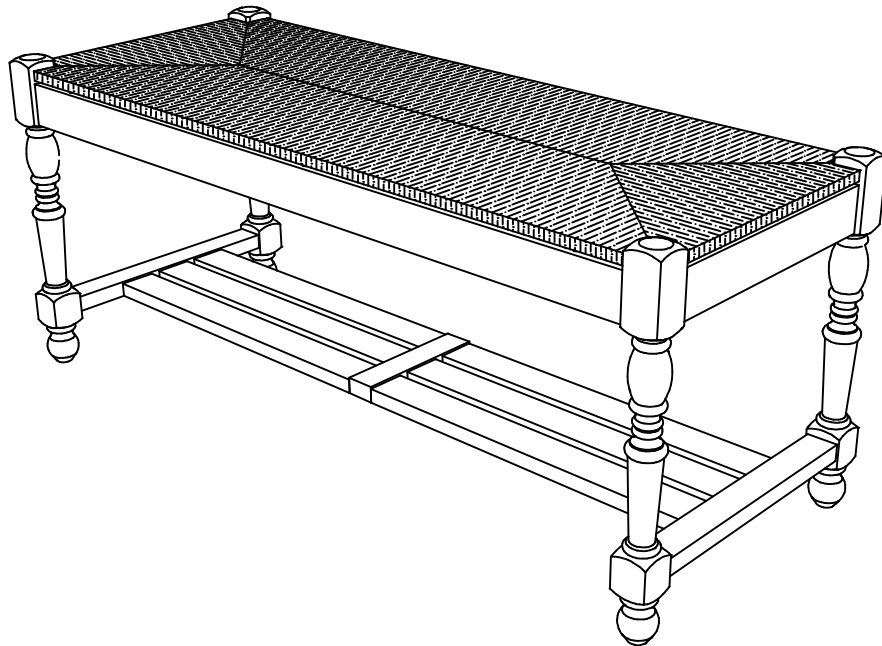


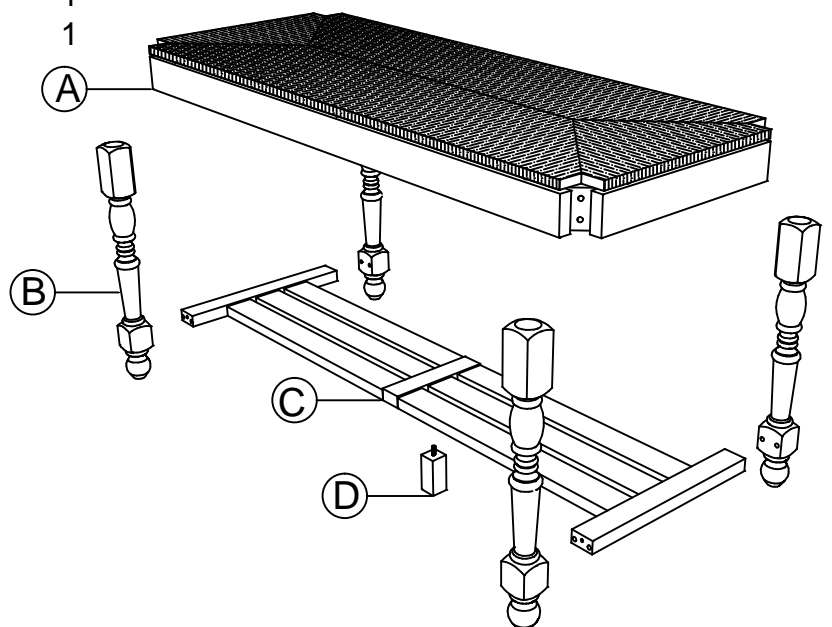
BUTLER

Assembly Instructions
1299070
BENCH HERITAGE KD

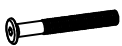
SPECIALTY COMPANY
8200 S SOUTH CHICAGO AVE. CHICAGO IL 60617



ITEM	DESCRIPTION	QUANTITY
A	SEATER	1
B	LEGS	4
C	STRETCHER	1
D	SUPPORT LEG	1



hardware



Ⓔ H1 x 8
bolt M6 x 60mm



Ⓕ H2 x 8
spring washer



Ⓖ H2 x 8
flat washers



Ⓗ H3 x 1
hex key #4



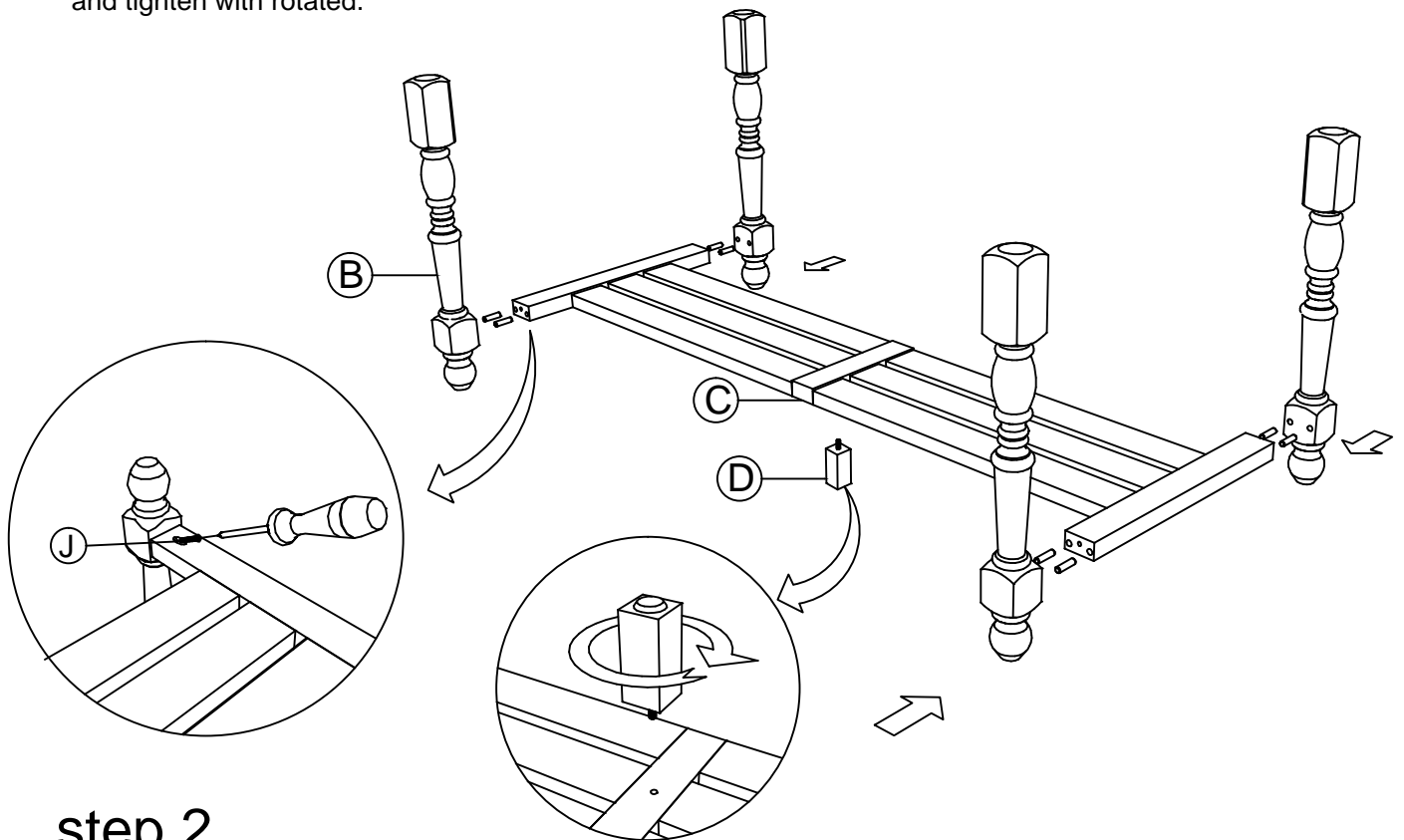
Ⓘ H4 x 8
dowel Ø8x30



⓵ H5 x 14
SCREW Ø8x2"

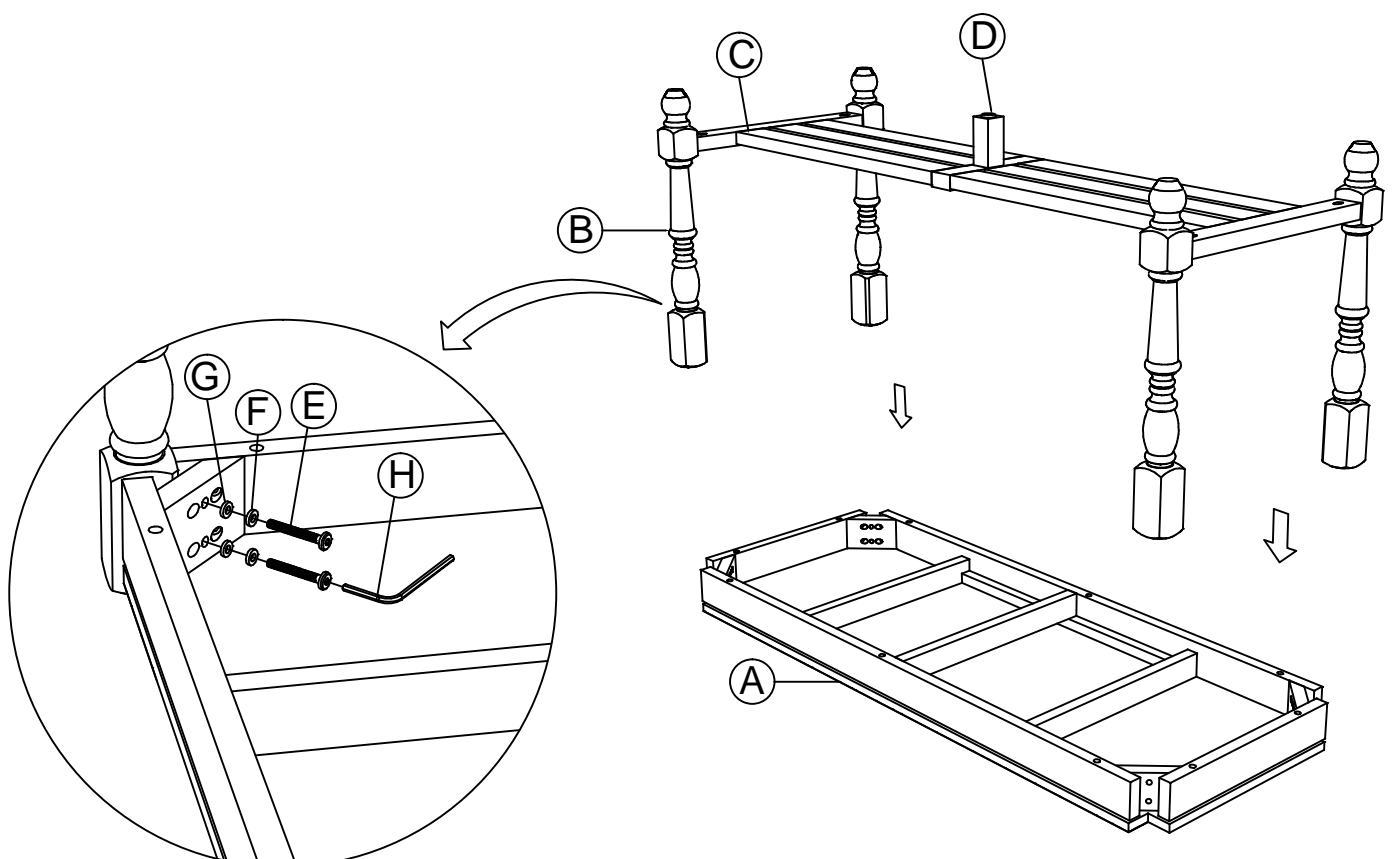
step 1

Attach legs (B) to the stretcher (C) insert Dowel (I), screw $\text{Ø}8 \times 2''$ (J) to the pre drilled holes at the bottom of bench and tighten the using the screw driver, attach the support leg (D) to the stretcher (C) and tighten with rotated.

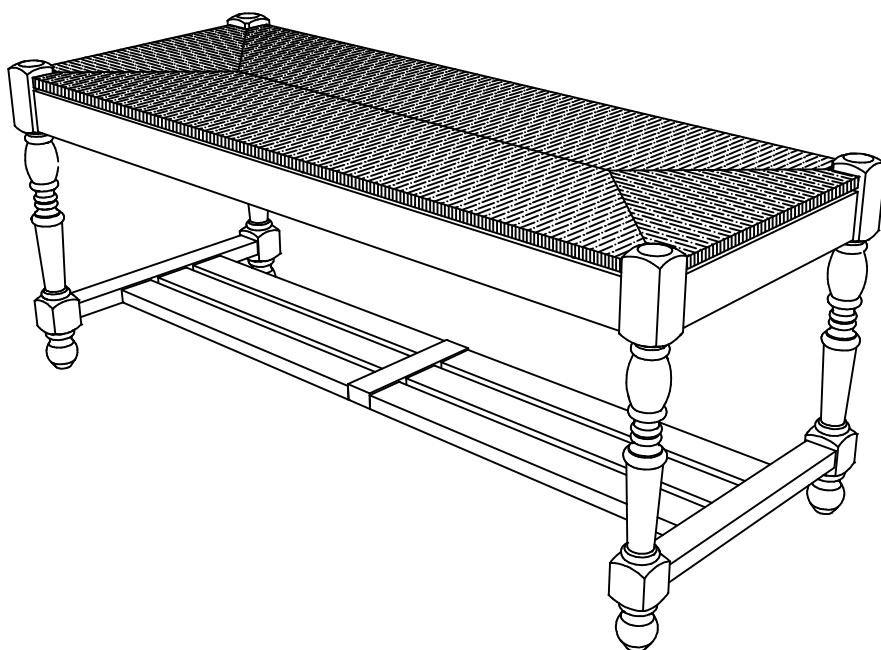


step 2

Lay the seater flip down position, Attach legs (B) to the seater (A), insert bolt (E), spring wahser (F), flat washer (G) to the pre drilled holes and tighten using the allen key (H)



Congratulation
Assembly complete, your Bench Heritage KD is ready to use



(*) Caution : **DO NOT OVERTIGHTEN**

In any correspondence regarding this product, please include the complete Butler identification number located on the underside of the product.

We hope this product will be a useful and decorative addition to your home for years to come.

Copyright© Butler Specialty Company, 02 / 18